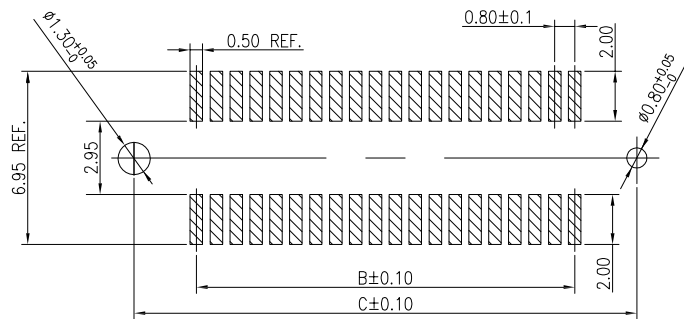
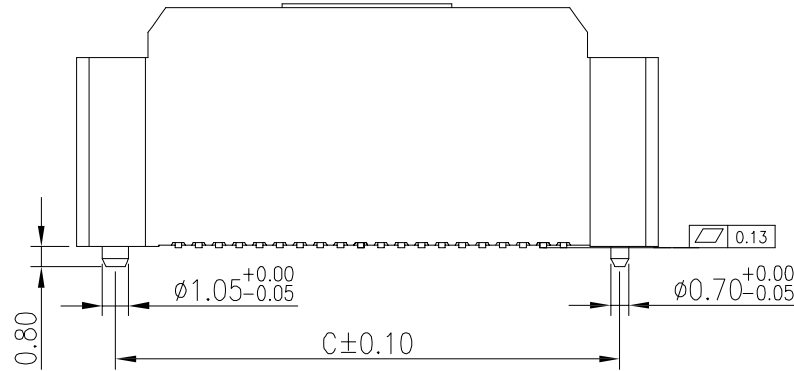
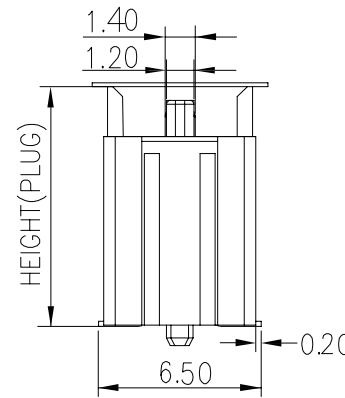
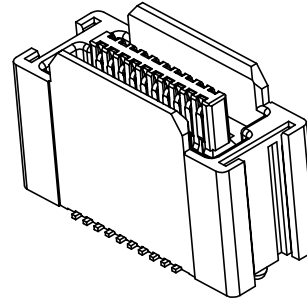
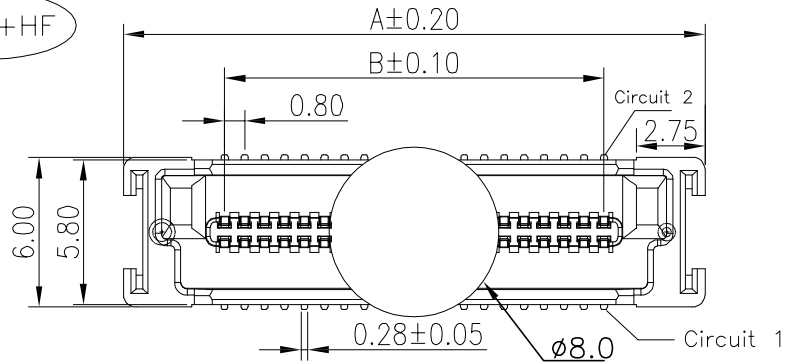


The product using material and processing must conform to the "WL-PZ-001" HSF technical standard control requirements

RoHS+HF



MATING HEIGHT	HEIGHT(PUG)	HEIGHT(SOCKET)
5.0	4.5	4.0
8.0	7.5	4.0
10	4.5	9.0
13	7.5	9.0
15	9.5	9.0

NOTE:

- MATERIAL SPECIFICATION:
 - HOUSING: LCP, UL94V-0
 - CONTACTS: PHOSPHOR BRONZE
- PLATING SPECIFICATION:
 - CONTACTS: TIN/GOLD FLASH PLATED OVER ALL.
- MECHANICAL PERFORMANCE:
 - RETENTIVITY FORCE: 0.01KGF/Pin Min
 - DURABILITY: 50 CYCLES.
- ELECTRICAL PERFORMANCE:
 - CURRENT RATING: 0.5A AC/DC
RATED VOLTAGE : 100V AC/DC
 - CONTACT RESISTANCE: 60 mΩ MAX
 - INSULATION RESISTANCE: 500MΩ Min
 - DIELECTRIC WITHSTANDING : 500V
- ENVIRONMENTAL PERFORMANCE:
 - OPERATING TEMPERATURE: -25°C~+85°C.
- PACKAGE SPEC: REEL
- P/N:

B0807 XX M 0-2 XX 2 X X X 01

SERIES NO: B0807 XX M 0-2 XX 2 X X X 01

HEIGHT(PUG): 45: 4.5mm, 75: 7.5mm, 95: 9.5mm

MALE FEMALE: M-MALE

ANGLE: 0-180°

ROW NO: 2-DOUBLE ROW

HOUSING: 1-LCP

COLOR: A-BLACK

PLATING: N-G/F MATTE TIN

TERMIPOINT: 2-SMT

PIN Q'PY: 10~140

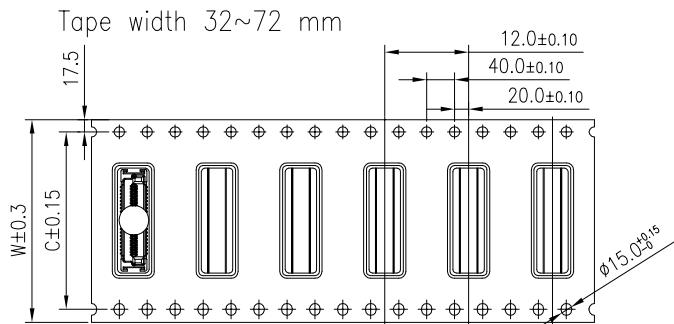
Contacts	Dimensions(mm)			Contacts	Dimensions(mm)		
	A.	B.	C.		A.	B.	C.
10	11.3	3.2	8.2	50	27.3	19.2	24.2
16	13.7	5.6	10.4	60	31.3	23.2	28.2
20	15.3	7.2	12.2	70	35.3	27.2	32.2
24	16.9	8.8	13.8	80	39.3	31.2	36.2
26	17.7	9.6	14.6	100	47.3	39.2	44.2
30	19.3	11.2	16.2	120	55.3	47.2	52.2
40	23.3	15.2	20.2	140	63.3	55.2	60.2

REV.	REVISION RECORD	DATE	UNIT:mm	GENERAL TOLERANCES		SCALE:	NAME	DATE	PART.NO:	DWG.NO:	TITLE:	REV: A0	SHEET: 1/4
AO	NEW RELEASE	22.10.28		LINEAR	ANGLES	1:1	Wang_jr	22.10.28					
			0.0±0.35	X'REF±6'	APPROVED	Han_Gao	22.10.28						
			0.00±0.25	X'±3'	DESIGNER	LanXuan_Hou	22.10.28						
			0.000±0.10	X'X' ±2'	DRAWN								

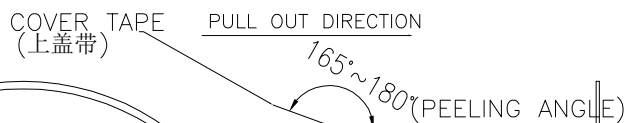


The product using material and processing must conform to the "WL-PZ-001" HSF technical standard control requirements

RoHS+HF

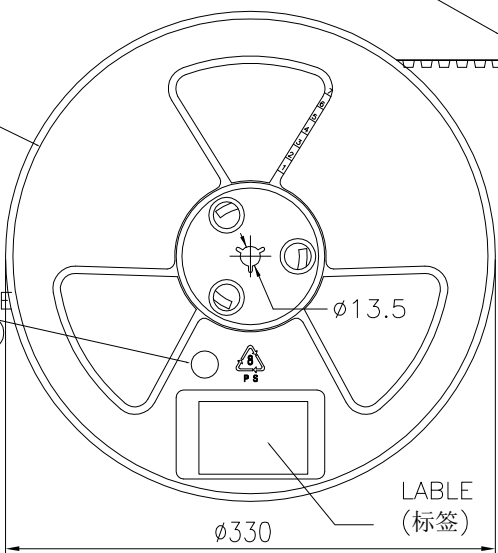


PULL OUT DIRECTION



REEL (胶盘)

GP LABEL (环保标签) (1PCS)



LABLE (标签)

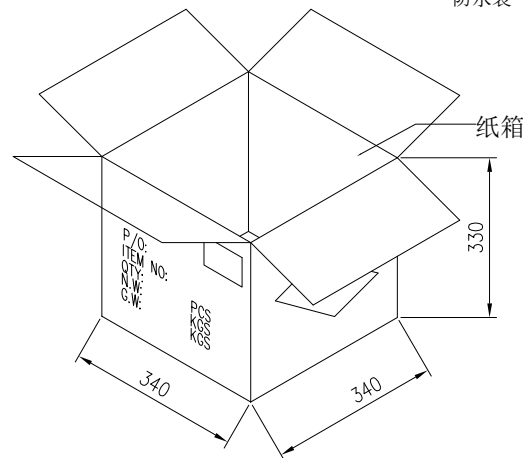
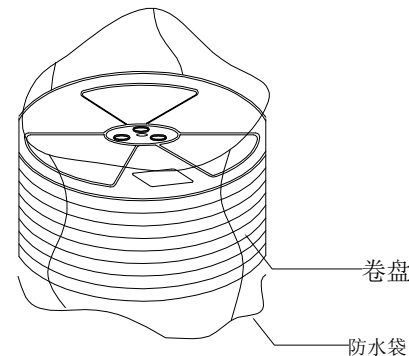
SCALE 1:4


W+4

NOTE:

1. 10 Sprocket hole pitch cumulative tolerance ± 0.20 .
2. Carrier camber is within 1mm in 100mm.
3. Material: white conductive polystyrene alloy.
4. Material Thickness: 0.40 ± 0.05 mm.

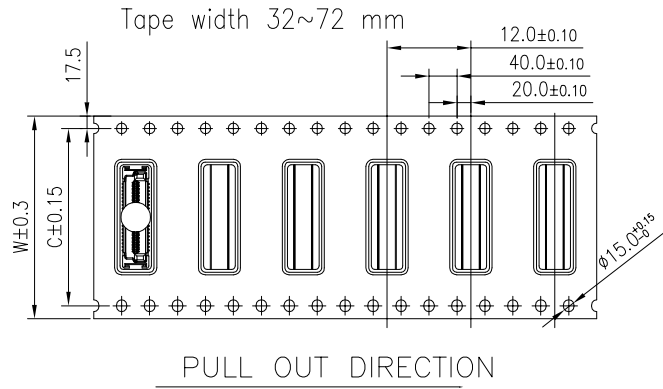
PIN NO.	W	C	PCS /REEL	REEL/CARTON	SUM(PCS)
20PIN~30PIN	32	28.4	1000	8	8000
40PIN~50PIN	44	40.4	1000	6	6000
60PIN~80PIN	56	52.4	1000	5	5000
100PIN	72	68.4	1000	4	4000



REV.	REVISION RECORD	DATE	UNIT:mm	GENERAL TOLERANCES		SCALE: 1:1	NAME	DATE	PART.NO:	DWG.NO:	 WanLian Technology Co., Ltd
AO	NEW RELEASE	22.10.28		LINEAR	ANGLES	APPROVED	Wang_jr	22.10.28	B0807XXM0-2XX2XXX01	ENDE05	
			0.00±0.25	X'±3'	DESIGNER	Han_Gao	22.10.28	TITLE:		REV: A0	SHEET: 2/4
			0.000±0.10	X'X' ±2'	DRAWN	LanXuan_Hou	22.10.28	4.5H 公座 PACKAGE SPEC			

The product using material and processing must conform to the "WL-PZ-001" HSF technical standard control requirements

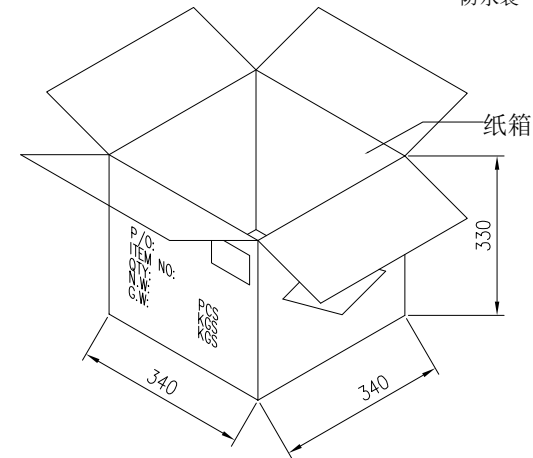
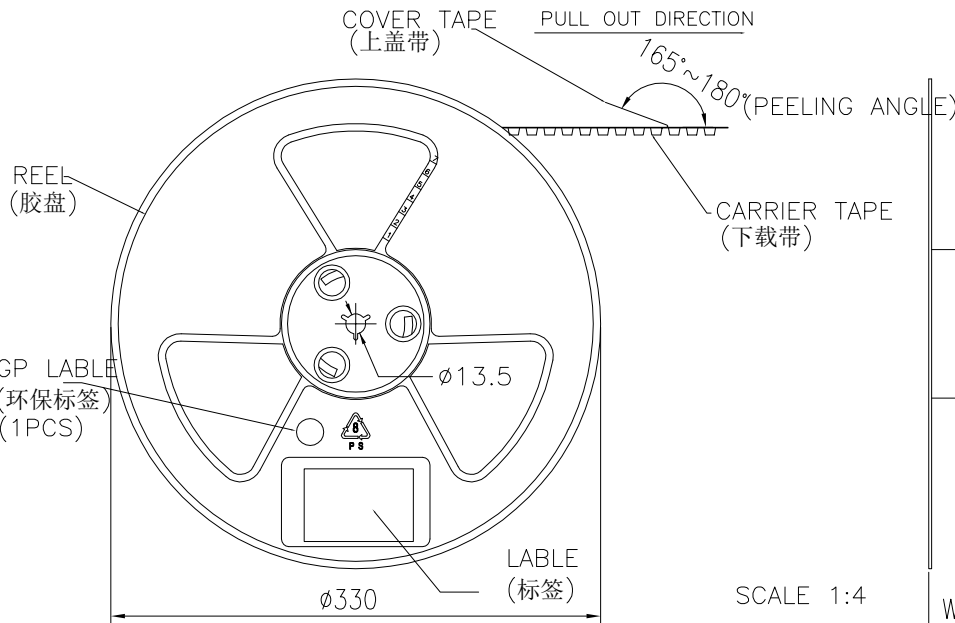
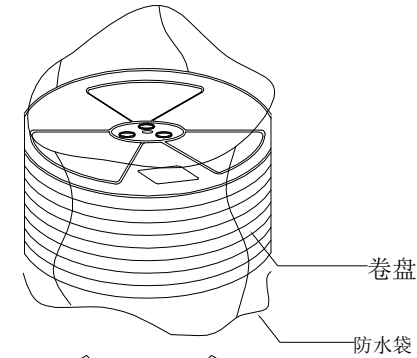
RoHS+HF




NOTE:

- 1.10 Sprocket hole pitch cumulative tolerance ±0.20.
2. Carrier camber is within 1mm in 100mm.
3. Material: white conductive polystyrene alloy.
4. Material Thickness: 0.40±0.05mm.

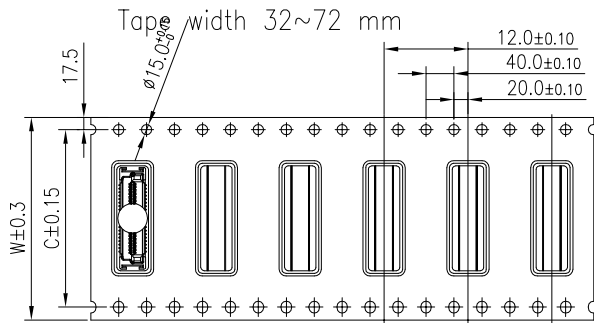
PIN NO.	W	C	PCS /REEL	REEL/CARTON	SUM(PCS)
20PIN~30PIN	32	28.4	700	8	5600
40PIN~50PIN	44	40.4	700	6	4200
60PIN~80PIN	56	52.4	700	5	3500
100PIN	72	68.4	700	4	2800



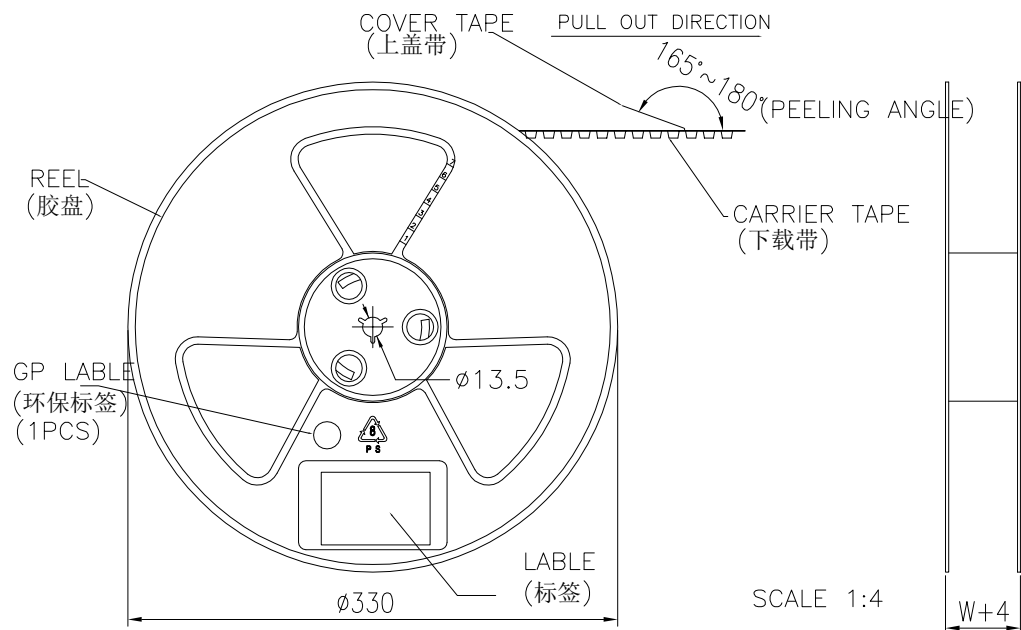
REV.	REVISION RECORD	DATE	UNIT:mm	GENERAL TOLERANCES		SCALE:	NAME	DATE	PART.NO:	DWG.NO:	 WanLian Technology Co., Ltd	
AO	NEW RELEASE	22.10.28		LINEAR	ANGLES	1:1	APPROVED	Wang_jr				22.10.28
			0.00±0.25	X'±3'		DESIGNER	Han_Gao	22.10.28	B0807XXM0-2XX2XXX01	ENDE05		TITLE: 7.5H 公座 PACKAGE SPEC
			0.00±0.10	X'X' ±2'		DRAWN	LanXuan_Hou	22.10.28				

The product using material and processing must conform to the "WL-PZ-001" HSF technical standard control requirements

RoHS+HF



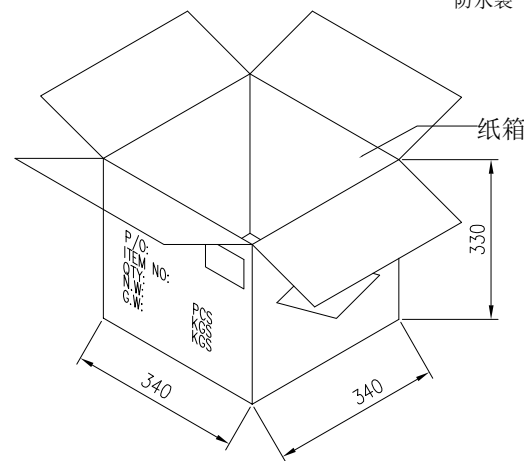
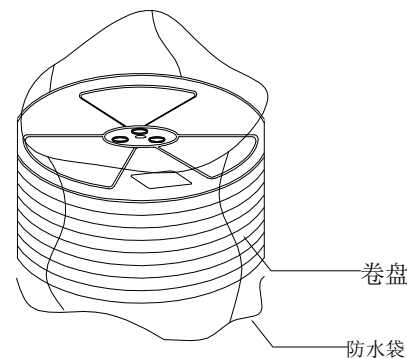
PULL OUT DIRECTION




NOTE:

- 1.10 Sprocket hole pitch cumulative tolerance ± 0.20 .
2. Carrier camber is within 1mm in 100mm.
3. Material: white conductive polystyrene alloy.
4. Material Thickness: 0.40 ± 0.05 mm.

PIN NO.	W	C	PCS /REEL	REEL/CARTON	SUM(PCS)
20PIN~30PIN	32	28.4	500	8	4000
40PIN~50PIN	44	40.4	500	6	3000
60PIN~80PIN	56	52.4	500	5	2500
100PIN	72	68.4	500	4	2000



REV.	REVISION RECORD	DATE	UNIT:mm	GENERAL TOLERANCES		SCALE:	NAME	DATE	PART.NO:	DWG.NO:	 WanLian Technology Co., Ltd
AO	NEW RELEASE	22.10.28		LINEAR	ANGLES	1:1	APPROVED	Wang_jr	22.10.28	B0807XXM0-2XX2XXX01	
			0.00±0.25	X'±3'	DESIGNER	Han_Gao	22.10.28	TITLE:			REV: A0 SHEET: 4/4
			0.000±0.10	X'X' ±2'	DRAWN	LanXuan_Hou	22.10.28	9.5H 公座 PACKAGE SPEC			